

Exam : EMC E20-825

**Title : Storage Area Network (SAN)
Expert Exam for Technology
Archs**

Version : Demo

Important Note, Please Read Carefully

Other VisualExams products

[All visualexams IT Exam Products](#)

Our products of Offline Testing Engine

Use the offline Testing engine product to practice the questions in an exam environment.

Build a foundation of knowledge which will be useful also after passing the exam.

[visualexams Testing Engine](#)

Latest Version

We are constantly reviewing our products. New material is added and old material is revised. Free updates are available for 90 days after the purchase. You should check your member zone at VisualExams and update 3-4 days before the scheduled exam date.

Here is the procedure to get the latest version:

1. Go to <http://www.visualexams.com/>
2. Log in the **User Center**
3. The latest versions of all purchased products are downloadable from here. Just click the links.

Feedback

If you spot a possible improvement then please let us know. We always interested in improving product quality.

Feedback should be send to Visualexams@hotmail.com. You should include the following: Exam number, version, page number, question number, and your login Account.

Our experts will answer your mail promptly.

Explanations

This product does not include explanations at the moment. If you are interested in providing explanations for this exam, please contact Visualexams@hotmail.com.

Features

- Comprehensive questions with complete details
- Instant Downloadable in PDF form.
- Verified Answers Researched by Industry Experts
- Questions accompanied by exhibits.
- Drag and Drop questions as experienced in the Actual Exams.
- These questions and answers are backed by our GUARANTEE.
- Questions updated on regular basis.
- Like actual certification exams our product is in multiple-choice questions (MCQs)

Commitment to Your Success: At VisualTestExam.com, we are committed to your ongoing success. Our exams and questions are constantly being updated and compared to industry standards.

Want to earn a Microsoft certification like [MCSE](#), [MCSE 2003](#), [CCNA](#), [CCNP](#)? Thinking about getting an [A+](#) or [CCSP](#)?

A, [CCSP](#) or [Network+](#) Certification with less effort and time. You will be astonished at the theoretical and practical knowledge you will acquire in such a short period of time using our Certification Training Products. Our Study material will enable you to pass your [Microsoft](#), Your [Cisco](#) and any other certification on the very first attempt.

Guarantee

VisualExams provides the most competitive quality of all exams for the customers, we guarantee your success at the first attempt with only our Certification Question&Answers, if somehow you do not pass the exam at the first time, we will not only arrange FULL REFUND for you, but also provide you another exam of your claim, ABSOLUTELY FREE!

1. A company has many low end servers that need to access SAN attached storage. The company does not want to invest any additional money in the servers to make this happen. Each server will have one NIC card that will be used for iSCSI. The customer wants as high availability as possible. Their current SAN infrastructure consists of all MDS directors, with multiple FC and IP cards in each. What feature can be used to make their environment as fault tolerant as possible?

- A. VRRP
- B. Host based multipathing
- C. Ethernet adapter teaming
- D. Zone with SANvergence Manager

Answer: A

2. The customer manages their SAN environment with ControlCenter. They have installed FCC Agent on Host A and Host B. They have installed the NAS Agent on Host B. Host A was down for one day, during which they lost NAS monitoring and switch management. Why did this happen?

- A. SNMP traps on both agents are set to READ/ ONLY
- B. Both Agents are communicating over the same SNMP Port
- C. SNMP traps on both agents are set to the wrong IP Address
- D. FCC Agent does not initiate a fail over to the Host B, and NAS Agent was inactive

Answer: B

3. A company wants the most cost effective way to add 100 new hosts. Each host requires approximately 15MBps. All servers must be dual attached. They currently have all MDS 9509 directors, and could add line cards at your recommendation. What solution should you recommend?

- A. Add 2 IP cards with 4 ports each and use iSCSI to connect into the SAN
- B. Add 2 IP cards with 8 ports each and use iSCSI to connect into the SAN
- C. Add 2 fiber channel cards with 32 ports each and fiber attach all the hosts
- D. Add 8 fiber channel cards with 32 ports each and fiber attach all the hosts

Answer: B

4. A customer has deployed two separate data centers located 100 km apart. Each site has two MDS 9509 configured with 2 VSANs in each director. The directors have IPS modules with FCIP configured between the MDS directors using their existing IP network between sites. NO EISLs currently exist. They want to implement a backup solution where all backups are done to CDL units located at the remote data center location.

What is the best solution for this requirement?

- A. Configure EISL between locations and create a new tape VSAN containing CDL ports and all host ports
- B. Configure new EISLs between locations, merge ALL existing fabrics between sites and connect CDL ports to new fabrics

C. Create a new tape VSAN at each location containing CDL ports and implement IVR for host access to tape resources at the remote location

D. Configure EISL between locations and create a new tape VSAN containing all CDL ports and implement IVR for backup hosts to access tape resources at local the location

Answer: C

5. Port Security is enabled at the customer site on all ports of the MDS-series switch. Which statement is true?

A. All intrusion attempts are reported when accessing switches in a fabric using FTP

B. Login requests via Telnet are restricted from unauthorized Fibre Channel devices accessed in a fabric

C. Login requests from unauthorized Fibre Channel devices (Nx ports) and switches (xE ports) are rejected

D. Login requests from unauthorized users to the fabric are rejected from the network security management in the switch

Answer: C

6. A customer has two separate SAN environments, located 5 km apart, with both DMX and CLARiiON storage. They have a Windows 2000 application that is currently connected to a CX600. They plan to deploy a second server at the remote site and implement a MSCS clustered environment for this application. The solution needs to be disaster tolerant. What would they do as part of this implementation?

A. Implement MirrorView to replicate data between sites

B. Implement EMC OpenReplicator to replicate data between sites

C. Move the server's data to DMX and use SRDF to replicate data between sites

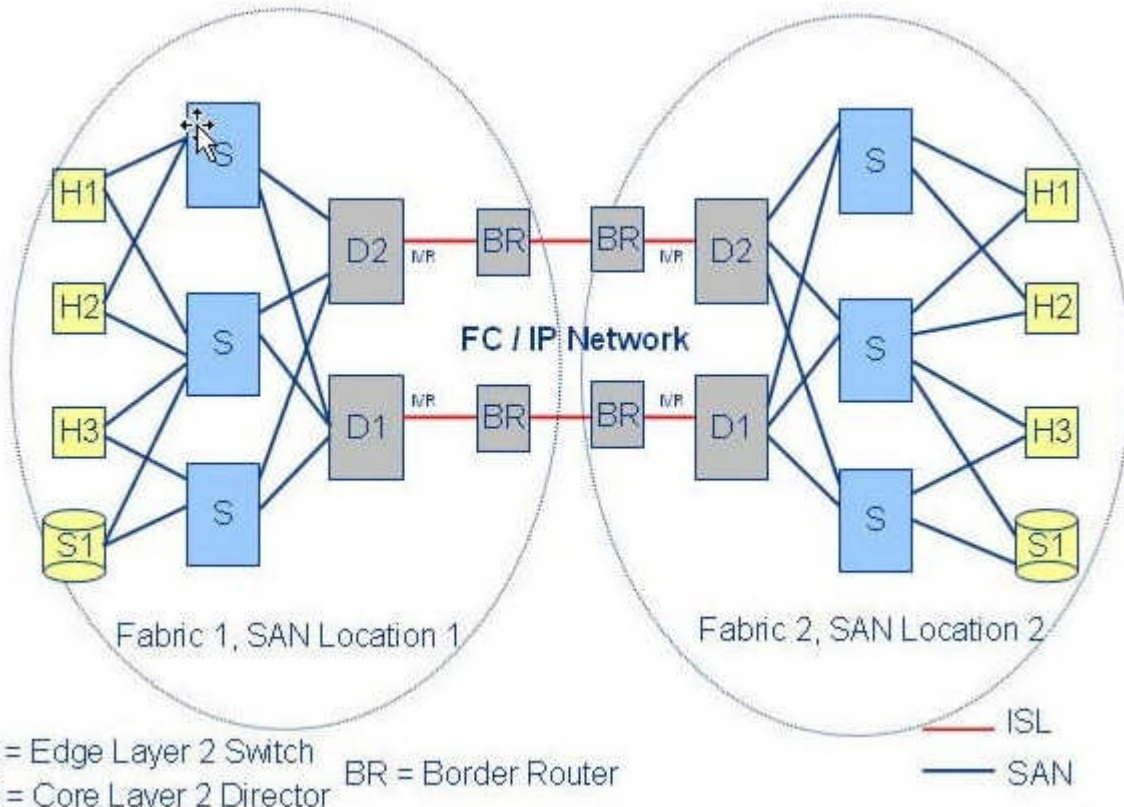
D. Implement EISLs between sites to provide remote access to the CLARiiONvolumes

Answer: C

7. Click the Exhibit button.

As shown in the diagram, two environments are linked via dual FCIP links. The customer is using Cisco gear as the router and wants to maintain as stateful a connection as possible.

Which protocol would you recommend to run between the routers at either side of the environment?



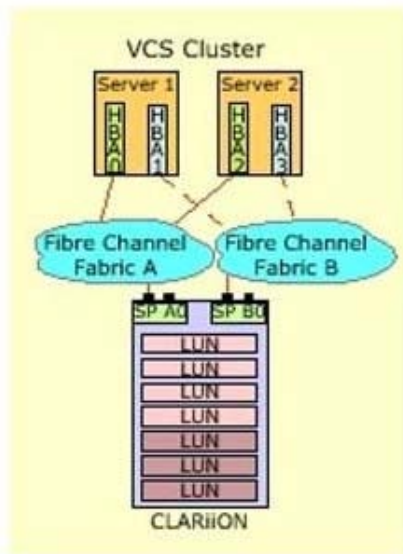
- A. RIP
- B. VRRP
- C. HSRP
- D. VLAN Tagging

Answer: C

8. Click the Exhibit button.

Your customer has the CLARiiON environment in the diagram. They want to improve security.

What should you recommend?



- A. Each switch in each fabric should have the same domain ID
- B. The zoning policy should be single-HBA or single-initiator zoning
- C. The zoning policy should be port zoning on Fabric A and Fabric B
- D. The switches with the lowest WWNs always be located at the center of the fabric

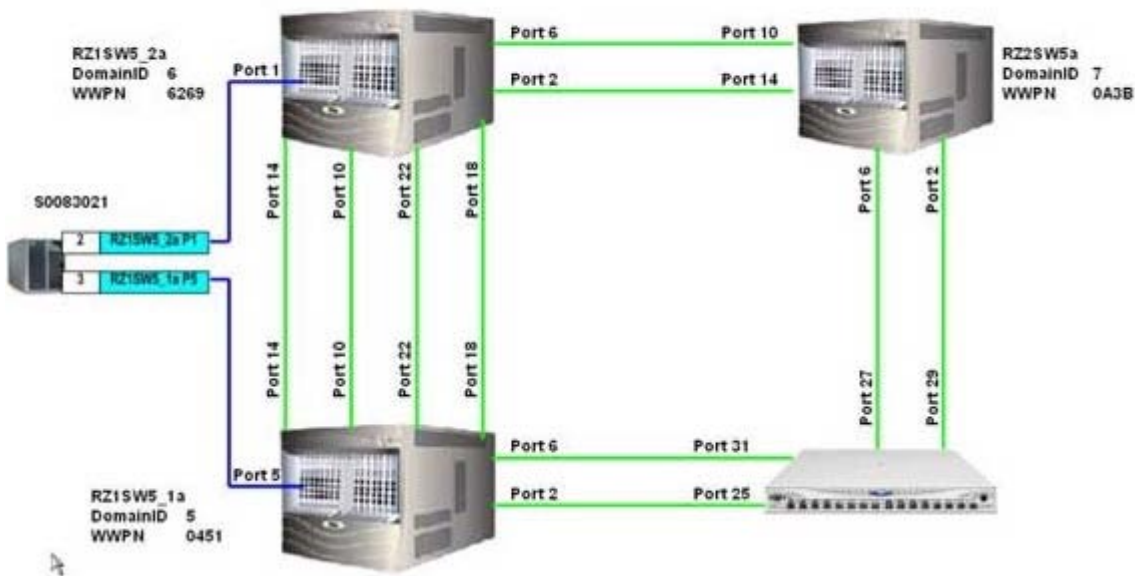
Answer: B

9. Click the Exhibit button.

In the event log of the M-series switches in the diagram you see the following messages:

- Unrelieved Fibre Channel traffic congestion on an ISL, no reroute done.
- End of Unrelieved Fibre Channel traffic congestion on an ISL.
- Unrelieved Fibre Channel traffic congestion on an ISL, no reroute done.
- End of Unrelieved Fibre Channel traffic congestion on an ISL.

What is the reason for this?



- A. Trunking is enabled
- B. Trunking is not enabled
- C. There is no performance issue
- D. There are not enough ISL connections

Answer: D

10. The redraw time of the alerts window pane in ControlCenter takes several minutes to complete. What do you recommend to fix this problem?

- A. Edit the Alert Definition
- B. Edit the Alert Templates
- C. Edit the Alert Data Retention
- D. Edit the Alert Data Collection Policies

Answer: C

11. A company just completed an implementation of 800 iSCSI attached nodes. After some time, performance problems such as device discovery, and change notification service have started to effect the environment. Which service can be implemented to increase the robustness of the environment?

- A. DNS
- B. iSNS
- C. LDAP
- D. iSCSI

Answer: B

12. Your customer is maintaining a small SAN, built of four DS-32B2 switches in full mesh topology and a CLARiiON CX500, with VisualSAN. Over the weekend they want to connect several HP-UX servers to the

SAN. For ease of management and time savings, they want to create the zones beforehand and activate them on the weekend. What are the necessary steps to do this?

- A. Customer needs to upgrade to ControlCenter
- B. Create zones, edit zoneset directly on the switch with native tools
- C. Create zones, edit zoneset and save it in the Active Zoneset folder
- D. Create zones, edit zoneset and save it in the Inactive Zoning Library folder

Answer: B

13. What is a valid FCID for a node connected to a MDS-series director in a fabric consisting of MDS-series, B-series and M-series switches?

- A. 0x330000
- B. 0x441111
- C. 0x552222
- D. 0x663333

Answer: D

14. Why are MDS-series port channels not compatible with B-series switches?

- A. B-series FSPF settings are incompatible with MDS-series
- B. Persistent FCIDs cannot be translated across the Port Channel
- C. B-series will reject MDS-series Virtual Channel flow control and negotiate a standards based buffer-to-buffer flow control
- D. MDS-series will reject B-series Virtual Channel flow control and negotiate a standards based buffer-to-buffer flow control

Answer: D

15. Your customer is asking if fabric latency is related to different application I/O patterns when using 3 hops in a B-series Fabric. What do you tell the customer?

- A. Only optic latency is relevant to different I/O patterns
- B. Hop and speed do not depend on different I/O patterns
- C. Hop and optical latency count is dependant on different I/O patterns
- D. Hop, speed, and optic latency do not depend on different I/O patterns

Answer: D

16. A customer, using MDS-series switches, would like to exceed the recommended oversubscription on the ports. What feature can be utilized to benefit performance on these ports?

- A. IVR
- B. FSPF
- C. FCID address caching
- D. Fibre Channel Congestion Control

Answer: D

17. A customer is designing an in-band management framework for the M-series switch fabric. What protocol is used within the framework?

- A. FCIP
- B. IPFC
- C. OSPF
- D. TCP/IP

Answer: B

18. A company is interested in migrating four standalone M-series switches to a full mesh fabric topology. The total combined throughput of the servers and storage is 6GB/sec, including local and ISL traffic. Using EMC recommendations, how much combined throughput should you design the ISLs to handle?

- A. 3GB/s
- B. 4GB/s
- C. 5GB/s
- D. 6GB/s

Answer: A

19. You are designing a connectivity tier fabric for a company with eight switches on the host and storage tiers, and four switches in the connectivity tier. Where should you locate the principle switch?

- A. Host tier
- B. Backup tier
- C. Storage tier
- D. Connectivity tier

Answer: D

20. A customer has an existing SAN using a single ED-24000B director and they need to expand their SAN capacity. They also want to increase their SAN availability as part of the upgrade. Which approach provides the highest availability?

- A. Add a second ED-24000B as an independent fabric
- B. Replace the ED-24000B with an ED-140M director with 32 port cards
- C. Replace the ED-24000B with a MDS 9509 director configured with four 32 port modules
- D. Add two additional DS-32B switches and configure their fabric into a core-edge topology with the ED-24000B at the core

Answer: A

Visualexams.com was founded in 2006. The safer,easier way to help you pass any IT Certification exams . We provide high quality IT Certification exams practice questions and answers(Q&A). Especially Adobe, Apple, Citrix, Comptia, EMC, HP, HuaWei, LPI, Nortel, Oracle, SUN, Vmware and so on. And help you pass any IT Certification exams at the first try.

Web site: <http://www.visualexams.com>

You can reach us at any of the email addresses listed below.

E-Mail: [visualexams \(at\) hotmail.Com](mailto:visualexams@hotmail.com)