

Exam : Cisco 642-811

**Title : Building Cisco Multilayer
Switched
Networks(BCMSN)**

Version : Demo

Important Note, Please Read Carefully

Other VisualExams products

[All visual exams IT Exam Products](#)

Our products of Offline Testing Engine

Use the offline Testing engine product to practice the questions in an exam environment.

Build a foundation of knowledge which will be useful also after passing the exam.

[visual exams Testing Engine](#)

Latest Version

We are constantly reviewing our products. New material is added and old material is revised. Free updates are available for 90 days after the purchase. You should check your member zone at VisualExams and update 3-4 days before the scheduled exam date.

Here is the procedure to get the latest version:

1. Go to <http://www.visual exams.com/>
2. Log in the **User Center**
3. The latest versions of all purchased products are downloadable from here. Just click the links.

Feedback

If you spot a possible improvement then please let us know. We always interested in improving product quality.

Feedback should be send to Visual exams@hotmail.com. You should include the following: Exam number, version, page number, question number, and your login Account.

Our experts will answer your mail promptly.

Explanations

This product does not include explanations at the moment. If you are interested in providing explanations for this exam, please contact Visual exams@hotmail.com.

Features

- Comprehensive questions with complete details
- Instant Downloadable in PDF form.
- Verified Answers Researched by Industry Experts
- Questions accompanied by exhibits.
- Drag and Drop questions as experienced in the Actual Exams.
- These questions and answers are backed by our GUARANTEE.
- Questions updated on regular basis.
- Like actual certification exams our product is in multiple-choice questions (MCQs)

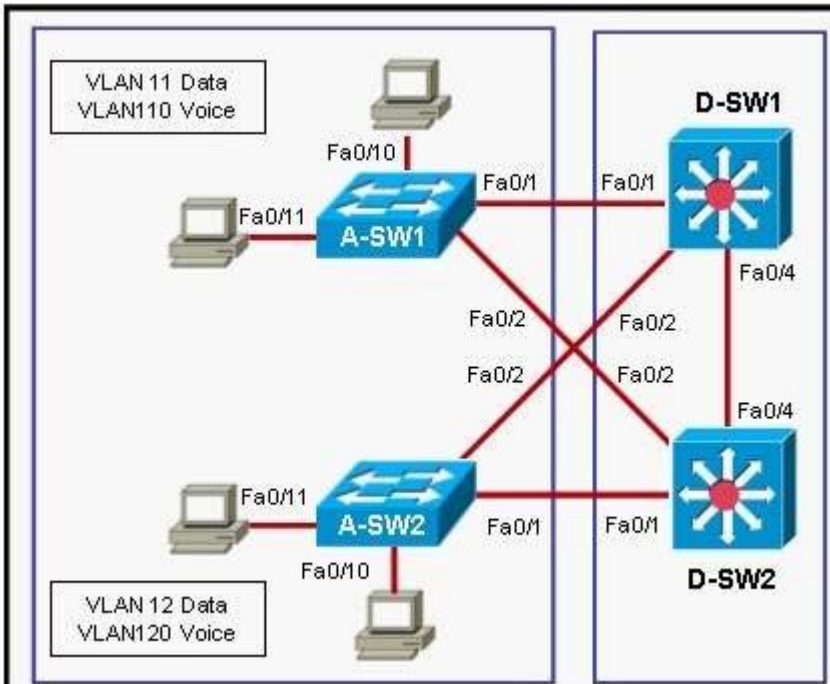
Commitment to Your Success: At VisualTestExam.com, we are committed to your ongoing success. Our exams and questions are constantly being updated and compared to industry standards.

Want to earn a Microsoft certification like MCSE, MCSE 2003, CCNA, CCNP? Thinking about getting an A+ or CCSP?

A, CCSP or Network+ Certification with less effort and time. You will be astonished at the theoretical and practical knowledge you will acquire in such a short period of time using our Certification Training Products. Our Study material will enable you to pass your Microsoft, Your Cisco and any other certification on the very first attempt.

Guarantee

Visualexams provides the most competitive quality of all exams for the customers, we guarantee your success at the first attempt with only our Certification Question&Answers, if somehow you do not pass the exam at the first time, we will not only arrange FULL REFUND for you, but also provide you another exam of your claim, ABSOLUTELY FREE!



- A. Configure the D-SW1 switch as the active HSRP router and the STP root for all VLANs. Configure the D-SW2 switch as the standby HSRP router and backup STP root for all VLANs.
- B. Configure the D-SW2 switch as the active HSRP router and the STP root for all VLANs. Configure the D-SW1 switch as the standby HSRP router and backup STP root for all VLANs.
- C. Configure the D-SW1 switch as the active HSRP router and the STP root for VLANs 11 and 110. Configure the D-SW2 switch as the active HSRP router and the STP root for VLANs 12 and 120.
- D. Configure the D-SW1 switch as the standby HSRP router and the backup STP root for VLANs 12 and 120. Configure the D-SW2 switch as the standby HSRP router and the backup STP root for VLANs 11 and 110.
- E. Configure the D-SW1 switch as the standby HSRP router and the STP root for VLANs 11 and 110. Configure the D-SW2 switch as the standby HSRP router and the STP root for VLANs 12 and 120.
- F. Configure the D-SW1 switch as the active HSRP router and the backup STP root for VLANs 11 and 110. Configure the D-SW2 switch as the active HSRP router and the backup STP root for VLANs 12 and 120.

Answer: CD

3. Which two multicast IP addresses can be represented by the multicast MAC address 0100.5e0A.0A07?

(Choose two.)

- A. 228.10.10.7
- B. 228.10.10.8

- C. 228.10.138.7
- D. 229.11.10.7
- E. 229.138.10.7
- F. 229.138.10.8

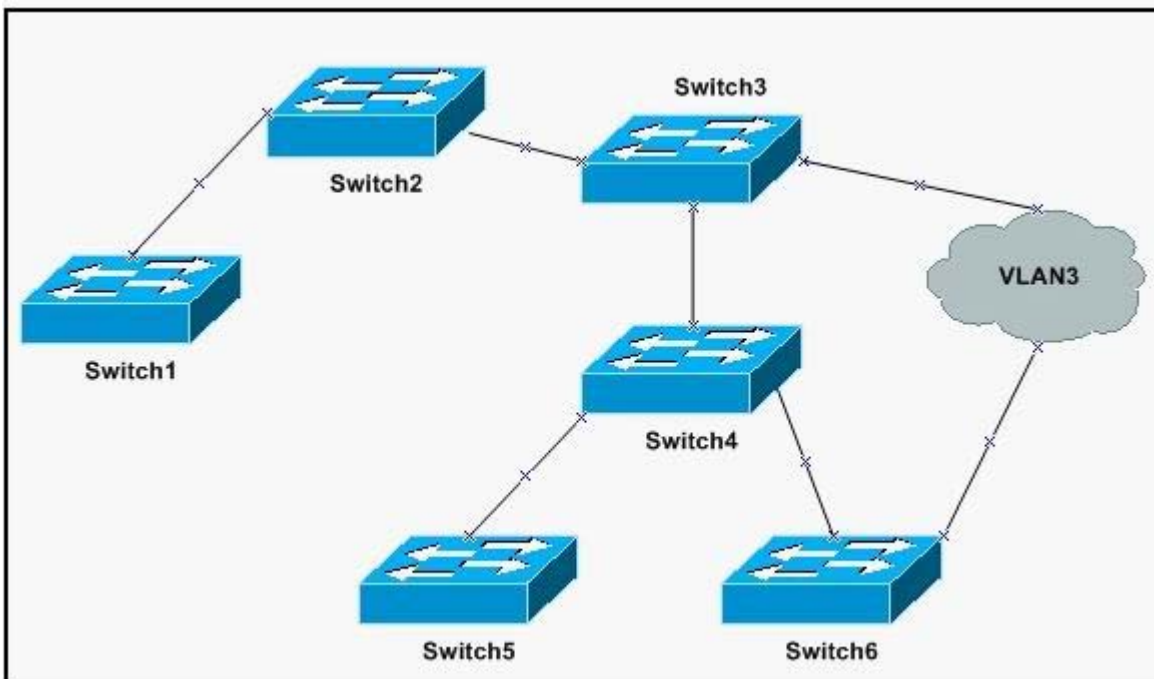
Answer: AE

4. Which is a valid multicast MAC address?

- A. 00-00-00-FA-11-67
- B. 01-00-E0-56-AE-3C
- C. 00-01-E0-A8-B2-C1
- D. 01-00-5E-0A-08-CF
- E. FF-FF-FF-FF-FF-FF

Answer: D

5. A network is configured with VLANs 1 through 5. 802.1 Q trunking is enabled between all switches. Currently, access ports for VLAN 3 exist only on Switch3 and Switch6. What must the administrator do to ensure that the other switches do not receive unnecessary broadcast packets for VLAN 3 while still allowing all other VLAN packets to cross?



- A. Configure VTP pruning.


```
RouterA# show standby
Ethernet0/1 - Group 1
  State is Active
    2 state changes, last state change 00:30:59
  virtual IP address is 10.1.0.20
  Secondary virtual IP address 10.1.0.21
  Active virtual MAC address is 0004.4d82.7981
  Local virtual MAC address is 0004.4d82.7981 (bia)
  Hello time 4 sec, hold time 12 sec
  Next hello sent in 1.412 secs
  Preemption enabled, min delay 50 sec, sync delay 40 sec
  Active router is local
  Standby router is 10.1.0.6, priority 75 (expires in 9.184 sec)
  Priority 95 (configured 120)
  Tracking 2 objects, 0 up
    Down Interface Ethernet0/2, pri 15
    Down Interface Ethernet0/3
  IP redundancy name is "HSRPI", advertisement interval is 34 sec
```

- A. Router A will assume the active state if its priority is the highest.
- B. If Ethernet 0/2 goes down, the standby router will take over.
- C. When Ethernet 0/3 of RouterA comes back up, the priority will become 105.
- D. The local IP address of Router A is 10.1.0.6.
- E. The local IP address of Router A is 10.1.0.20.

Answer: AC

8. Which two statements are true about a switched virtual interface (SVI)? (Choose two.)
- A. An SVI is created by entering the no switchport command in interface configuration mode.
 - B. An SVI is created for the default VLAN (VLAN1) to permit remote switch administration by default.
 - C. An SVI provides a default gateway for a VLAN.
 - D. Multiple SVIs can be associated with a VLAN.
 - E. SVI is another name for a routed port.

Answer: BC

9. Given the following configuration on a switch interface, what happens when a host with the MAC address of 0003.0003.0003 is directly connected to the switch port? switchport mode access switchport port-security switchport port-security maximum 2 switchport port-security mac-address 0002.0002.0002 switchport port-security violation shutdown
- A. The port will shut down.
 - B. The host will be allowed to connect.
 - C. The host will be refused access.

D. The host can only connect through a hub/switch where 0002.0002.0002 is already connected.

Answer: B

10. Which spanning-tree feature will disable ports configured for PortFast in the event of a BPDU being received on those ports?

- A. BPDUGuard
- B. BPDU filtering
- C. UDLD
- D. Root Guard

Answer: A

11. Which three interface commands will configure the switch port to support a connected Cisco phone and to trust the CoS values received on the port if CDP discovers that a Cisco phone is attached? (Choose three.)

- A. mls qos trust override cos
- B. mls qos trust cos
- C. mls qos trust device cisco-phone
- D. switchport priority extend cos_value
- E. switchport voice vlan vlan-id

Answer: BCE

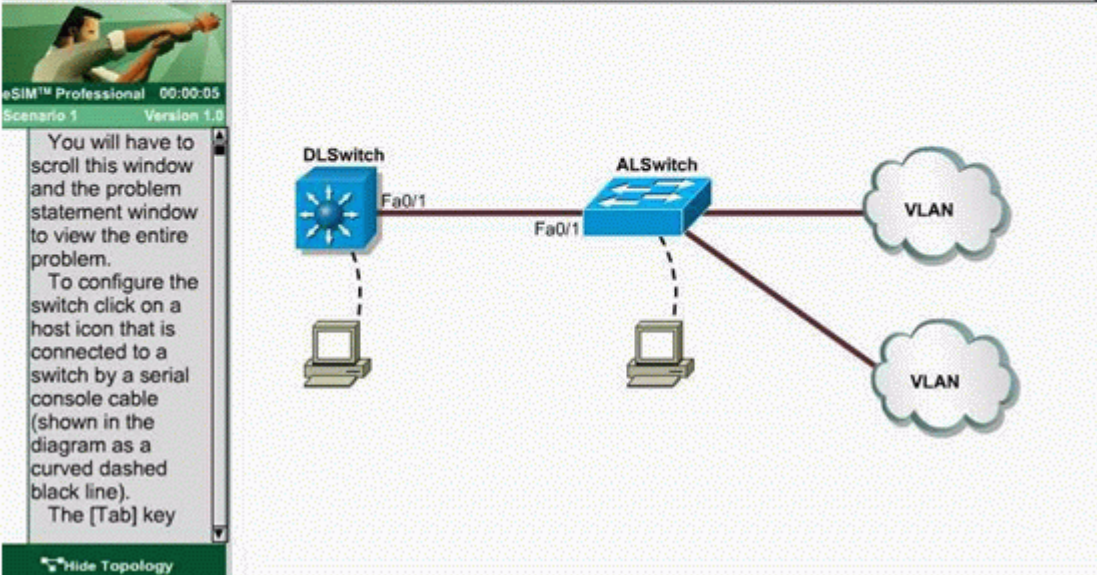
12. If there are two equal cost paths to the root switch, what is the next criterion to determine the root port?

- A. lowest time to receive BPDUs
- B. lowest port ID
- C. lowest sender bridge ID
- D. highest MAC address on the receiving port

Answer: C

13. LAB

The central offices for a footwear distributor is enhancing their wiring closets with Layer 3 switches. The new distribution layer switch has been installed and a new access layer switch cabled to it. Your task is to configure the distribution layer and access layer switch with VTP to share VLAN information. Then, it is necessary to configure inter-VLAN routing on the distribution layer switch to route traffic between the different VLANs that are configured on the access layer switches. Specific VLAN port assignments will be made as users are added to the access layer switches in the future. Also, all VLANs and VTP configurations are to be completed in the global configuration mode because VLAN database mode is being deprecated by Cisco. Please reference the following table for the VTP and VLAN information to be configured:



The information of the question

VTP Domain name : cisco

VLAN Ids 20 31

IP Addresses 172.16.71.1/24 172.16.132.1/24

These are your specific tasks:

1. Configure the VTP information with the distribution layer switch as the VTP server
2. Configure the VTP information with the access layer switch as a VTP client
3. Configure VLANs on the distribution layer switch
4. Configure inter-VLAN routing on the distribution layer switch
5. Specific VLAN port assignments will be made as users are added to the access layer switches in the future.
6. All VLANs and VTP configurations are to be completed in the global configuration mode. To configure the switch, click on the host icon that is connected to the switch by way of a serial console cable.

Correct Answers:

vtp server configuration:

switch#conf t

switch(config)#vtp mode server

```
switch(config)#vtp domain CISCO
switch(config)#vlan 20
switch(config)#vlan 31
switch(config)#int vlan 20
switch(if-config)#ip add 172.64.20.1 255.255.255.0
switch(if-config)#no shut
switch(if-config)#int vlan 31
switch(if-config)#ip add 192.162.31.1 255.255.255.0
switch(if-config)#no shut
switch(if-config)#exit
switch#ip routing
switch#copy run start
vtp client configuration:
switch#conf t
switch(config)#vtp mode client
switch(config)#vtp domain CISCO
switch#copy run start
```

14. In the use of 802.1X access control, which three protocols are allowed through the switch port before authentication takes place? (Choose three.)

- A. STP
- B. CDP
- C. EAP MD5
- D. TACACS+
- E. EAP-over-LAN
- F. protocols not filtered by an ACL

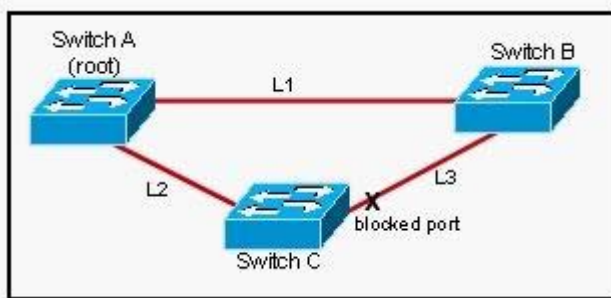
Answer: ABE

15. Which technology manages multicast traffic at Layer 2 by configuring Layer 2 LAN interfaces dynamically to forward multicast traffic only to those interfaces that want to receive it?

- A. IGMP
- B. IGMP snooping
- C. PIM-DM
- D. DVMRP
- E. MOSPF

Answer: B

16. Refer to the above graphic. Switch A, the root bridge, is connected directly to Switch B over link L1 and to Switch C over link L2. The Layer 2 LAN interface on Switch C that is connected directly to Switch B is in the blocking state. If Switch C detects a link failure on the currently active link L2 on the root port, which spanning tree enhancement will allow Switch C to unblock the blocked port and transition it to forwarding without going through the listening and learning states?



- A. PortFast
- B. UplinkFast
- C. BackboneFast
- D. rapid spanning tree

Answer: B

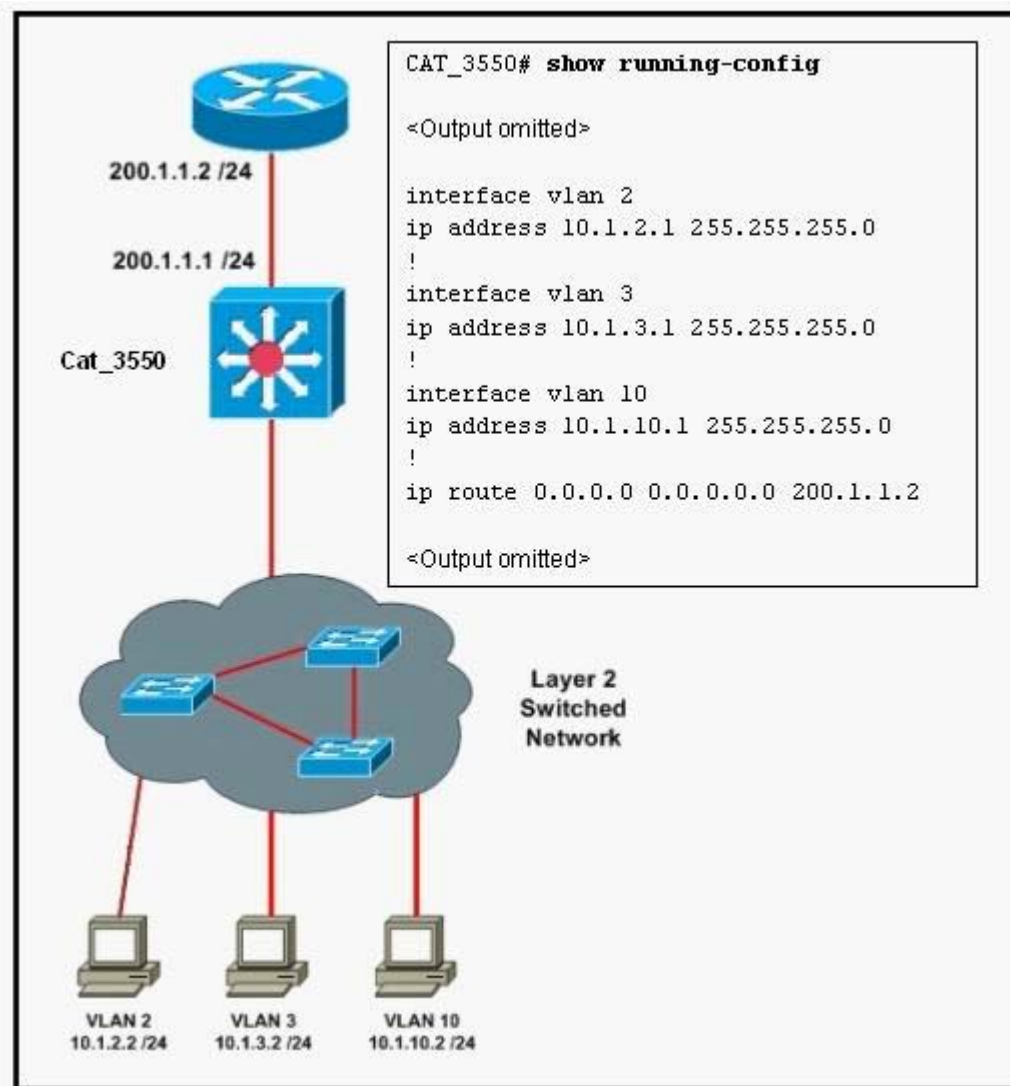
17. What are three disadvantages of a router-on-a-stick configuration for InterVLAN routing? (Choose three.)

- A. InterVLAN routing cannot be filtered by the router.
- B. The router becomes a single point of failure for the network.
- C. Routers will not route STP BPDUs.
- D. There is a possibility of inadequate bandwidth for each VLAN.
- E. Additional overhead on the router can occur.

F. NetFlow Switching is required for InterVLAN accounting.

Answer: BDE

18. Refer to the exhibit. Which set of commands contains the minimum number of commands necessary on the Cat_3550 switch for the host in VLAN 2 to be able to ping the host in VLAN 3?



- A. ip routing
- B. ip routingrouter eigrp 1network 10.0.0.0
- C. router eigrp 1network 10.0.0.0
- D. ip routingrouter eigrp 1redistribute connectednetwork 10.0.0.0network 200.1.1.0no auto-summary
- E. ip routingrouter eigrp 1redistribute connectednetwork 10.0.0.0no auto-summary

Answer: E

19. Which statement is correct about 802.1Q trunking?

- A. Both switches must be in the same VTP domain.
- B. The encapsulation type on both ends of the trunk does not have to match.
- C. The native VLAN on both ends of the trunk must be VLAN 1.
- D. 802.1Q trunking can only be configured on a Layer 2 port.
- E. In 802.1Q trunking, all VLAN packets are tagged on the trunk link, except the native VLAN.

Answer: E

20. Which two statements about the various implementations of STP are true? (Choose two.)

- A. Common Spanning Tree maintains a separate spanning-tree instance for each VLAN configured in the network.
- B. The Spanning Tree Protocol (STP) is an evolution of the IEEE 802.1w standard.
- C. Per-VLAN Spanning Tree (PVST) supports 802.1Q trunking.
- D. Per-VLAN Spanning Tree Plus(PVST+) is an enhancement to 802.1Q specification and is supported only on Cisco devices.
- E. Rapid Spanning Tree Protocol (RSTP) includes features equivalent to Cisco PortFast, UplinkFast, and BackboneFast for faster network reconvergence.
- F. Multiple Spanning Tree (MST) assumes one spanning-tree instance for the entire Layer 2 network, regardless of the multiple number of VLANs.

Answer: DE

Visualexams.com was founded in 2006. The safer,easier way to help you pass any IT Certification exams . We provide high quality IT Certification exams practice questions and answers(Q&A). Especially Adobe, Apple, Citrix, Comptia, EMC, HP, HuaWei, LPI, Nortel, Oracle, SUN, Vmware and so on. And help you pass any IT Certification exams at the first try.

Web site: <http://www.visualexams.com>

You can reach us at any of the email addresses listed below.

E-Mail: [visualexams \(at\) hotmail.Com](mailto:visualexams@hotmail.com)