

**Exam : SUN 310-345**

**Title : Sun Certified System  
Administrator for Sun  
Cluster 3.2**

**Version : Demo**

## Important Note, Please Read Carefully

### Other VisualExams products

[All visualexams IT Exam Products](#)

### Our products of Offline Testing Engine

Use the offline Testing engine product to practice the questions in an exam environment.

Build a foundation of knowledge which will be useful also after passing the exam.

[visualexams Testing Engine](#)

### Latest Version

We are constantly reviewing our products. New material is added and old material is revised. Free updates are available for 90 days after the purchase. You should check your member zone at VisualExams and update 3-4 days before the scheduled exam date.

Here is the procedure to get the latest version:

1. Go to <http://www.visualexams.com/>
2. Log in the **User Center**
3. The latest versions of all purchased products are downloadable from here. Just click the links.

### Feedback

If you spot a possible improvement then please let us know. We always interested in improving product quality.

Feedback should be send to [Visualexams@hotmail.com](mailto:Visualexams@hotmail.com). You should include the following: Exam number, version, page number, question number, and your login Account.

Our experts will answer your mail promptly.

### Explanations

This product does not include explanations at the moment. If you are interested in providing explanations for this exam, please contact [Visualexams@hotmail.com](mailto:Visualexams@hotmail.com).

### Features

- Comprehensive questions with complete details
- Instant Downloadable in PDF form.
- Verified Answers Researched by Industry Experts
- Questions accompanied by exhibits.
- Drag and Drop questions as experienced in the Actual Exams.
- These questions and answers are backed by our GUARANTEE.
- Questions updated on regular basis.
- Like actual certification exams our product is in multiple-choice questions (MCQs)

**Commitment to Your Success: At VisualTestExam.com, we are committed to you ongoing success. Our exams and questions are constantly being updated and compared to industry standards.**

Want to earn a Microsoft certification like [MCSE](#), [MCSE 2003](#), [CCNA](#), [CCNP](#)? Thinking about getting an [A+](#) or [CCSP](#)?

A, [CCSP](#) or [Network+](#) Certification with less effort and time. You will be astonished at the theoretical and practical knowledge you will acquire in such a short period of time using our Certification Training Products. Our Study material will enable you to pass your [Microsoft](#), Your [Cisco](#) and any other certification on the very first attempt.

## **Guarantee**

VisualExams provides the most competitive quality of all exams for the customers, we guarantee your success at the first attempt with only our Certification Question&Answers, if somehow you do not pass the exam at the first time, we will not only arrange FULL REFUND for you, but also provide you another exam of your claim, ABSOLUTELY FREE!

1. What mechanism does Sun Cluster 3.2 use to keep the time-of-day clock synchronized between cluster nodes?

- A.ntp
- B.y2k
- C.cron
- D.rdate

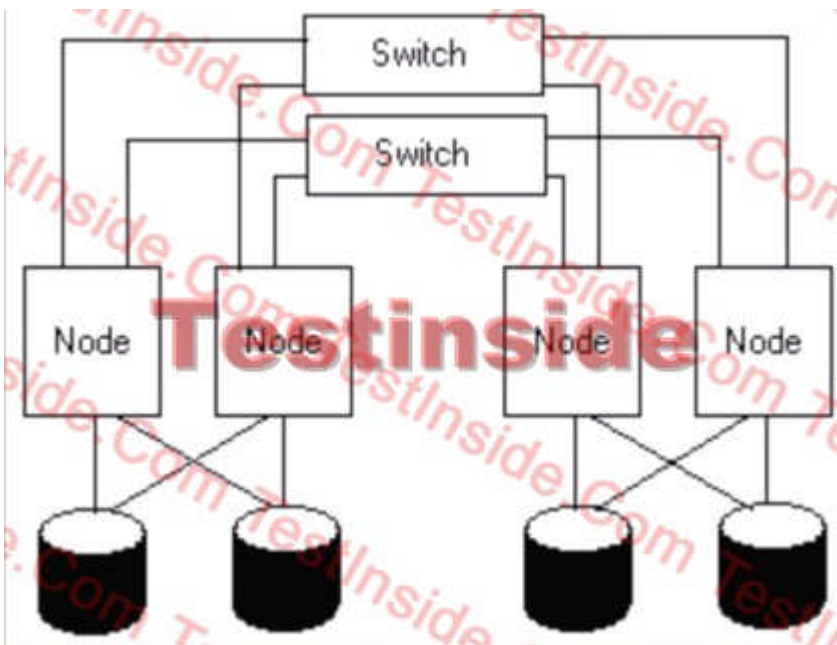
**Answer: A**

2. Which two can be performed when using Solaris 10 zones? (Choose two.)

- A.Run the complete cluster framework in non-global zones.
- B.Configure a highly available nfs server only in a non-global zone.
- C.Install an application that can fail over between non-global zones.
- D.Install an application that can fail over between the global zones and the non-global zones.

**Answer: CD**

3. Given:



What is the name of the cluster topology shown?

- A.N+1
- B.Pair + N
- C.Scalable N\*N

D.Clustered Pairs

**Answer: D**

4. Which four files and settings get automatically configured by scinstall? (Choose four.)

A./etc/hosts

B./etc/vfstab

C.auto-boot?

D./etc/dfs/dfstab

E./etc/defaultrouter

F.local-mac-address?

G./etc/inet/ntp.conf.cluster

**Answer: ABFG**

5. During the scinstall process the cluster administrator has to configure the cluster transport.

Which step does the cluster administrator have to perform in a typical cluster configuration?

A.Select the transport adapters.

B.Select the IP range for the private networks.

C.Construct the public network VLANS for a tagged VLAN.

D.Select the netmask for the cluster interconnect on a typical install.

**Answer: A**

6. When talking to support personnel the cluster administrator may need to know the version of your installed cluster.

What command will the cluster administrator use to obtain the installed cluster package release information on a node or all nodes?

A.clclustrev -v

B.clnode show-rev -v

C.clclust node-rev -v

D.clnode clust-rev -v

**Answer: B**

7. What command should be used to register a NAS device before it can be used as a quorum device?

- A. `clnas add -t netapp -u root`
- B. `clq add -t netapp -p qshost= \-p port=9000`
- C. `clnas set -p`
- D. `clq add -t netapp -u root`

**Answer: A**

8. You have a four-node cluster with no quorum device. The node mars will be down for an extended period of time.

After you have shut down mars, which commands, if any, should you run on one of the remaining nodes?

- A. `clq disable mars`
- B. `clq set -p maintenance mars`
- C. `cluster set -p maintenance mars`
- D. None, cluster takes care of this automatically

**Answer: A**

9. Your customer has chosen to use Solaris Volume Manager for their shared disks. A diskset named ds1 has already been created with node1 and node2 being able to master the diskset. The customer would like to build a mirrored volume to contain their application data.

The diskset ds1 contains two 36 Gbyte disk drives using did devices d4 and d8.

The customer would like to use as volume names d101 and d102 as the submirrors and d100 as the mirror.

Which sequence of commands will accomplish this task?

- A. `metainit d101 1 1 /dev/did/rdisk/d4s0`  
`metainit d102 1 1 /dev/did/rdisk/d8s0`  
`metainit d100 -m d101`  
`metattach d100 d102`
- B. `metainit d101 1 1 /dev/did/rdisk/d4s0`  
`metainit d102 1 1 /dev/did/rdisk/d8s0`  
`metainit d100 -m d101,d102`

C.metacreate -s ds1 d101 /dev/did/rdisk/d4s0

metacreate -s ds1 d102 /dev/did/rdisk/d8s0

metamirror -s ds1 d100 d101,d102

D.metainit -s ds1 d101 1 1 /dev/did/rdisk/d4s0

metainit -s ds1 d102 1 1 /dev/did/rdisk/d8s0

metainit -s ds1 d100 -m d101

metattach -s ds1 d100 d102

**Answer: D**

10. You are setting up a cluster. You want to mirror your storage devices using Veritas Volume Manager from one array to another.

Which software RAID volume management application would you use if your database application was Oracle RAC?

A.Solaris Volume Manager

B.Veritas Volume Manager

C.Veritas Cluster Volume Manager

D.Solaris Volume Manager for Sun Cluster

**Answer: C**

11. When using ZFS for your shared storage within the cluster, how do you specify the file system mountpoint?

A.ZFS does not use mountpoints.

B.You must define mountpoints in the /etc/vfstab file first.

C.ZFS mountpoints default to /poolname/fsname, but you can change them to whatever you want using the zfs command.

D.Sun Cluster chooses the name of the file system mountpoints for ZFS.

**Answer: C**

12. What is the reason that the Openboot Prom variable local-mac-address? needs to be set to true?

A.This setting is NOT required in Sun Cluster 3.2.

- B. There is no logical reason for this setting to be true.
- C. Cluster transport will fail if the setting is false.
- D. The test address enables test traffic on ALL members of the IPMP group.

**Answer: D**

13. The `clrg show` command shows the following output for `pippo-rg` resource group.

Resource group `nfs-rg` is configured to run only on node `fachiro`.

Resource Group: `pippo-rg`

RG\_description:

RG\_mode: Scalable

RG\_state: Unmanaged

RG\_project\_name: default

RG\_affinities: `--nfs-rg`

RG\_SLM\_type: manual

Auto\_start\_on\_new\_cluster: True

Failback: False

Nodelist: `fachiro zippo`

Which is correct about the resource group configuration?

- A. It is a scalable resource group that will not run on node `fachiro` if `nfs-rg` is online.
- B. The `nfs-rg` resource group will stop when `pippo-rg` switch to node `fachiro`.
- C. `RG_affinities` cannot be configured into a scalable resource group.
- D. The `clrg show +` command would provide different information about the resource group.

**Answer: A**

14. What is the minimum number of private interconnects recommended to build a two-node cluster using Sun Cluster 3.2?

- A. None
- B. Two
- C. Six
- D. One

**Answer: B**

15. What is the maximum number of private interconnects supported in Sun Cluster 3.2?

- A.Six
- B.Four
- C.One
- D.Two

**Answer: A**

16. When you plan for a two-node cluster there are several hardware components possible. Some components are absolutely required, some are optional.

Which item identifies the optional component?

- A.boot disks
- B.redundant transport
- C.terminal concentrator for console access
- D.storage connections from each host to each shared storage box

**Answer: C**

17. What functionality does the global device implementation provide?

- A.A failed device will be transparently replaced by a spare.
- B.All nodes on the public network can access the cluster storage.
- C.Storage connected to any cluster node is available to all cluster nodes using standard device semantics.
- D.Only cluster nodes that are physically connected to a storage device can directly access that device simultaneously.

**Answer: C**

18. What is the minimum number of nodes required to make a highly available cluster?

- A.One
- B.Two
- C.Four

D.Eight

**Answer: B**

19. Which two types of communication can occur on the private interconnect? (Choose two.)

A.cluster heartbeats

B.application data transfer

C.vxconfigd communication

D.Solaris Volume Manager communication

**Answer: AB**

20. Every multi-node cluster has to have private interconnect hardware.

Which three items identify how the cluster uses the interconnect? (Choose three.)

A.The global data access traverses the interconnect.

B.The load balancer sends inbound requests to other nodes over the interconnect.

C.The cluster needs the interconnect to decide about its cluster membership.

D.Every application configured in the cluster gains performance benefits from the interconnect.

E.If a node loses its public network completely, the network traffic is rerouted over the interconnect.

**Answer: ABC**

Visualexams.com was founded in 2006. The safer,easier way to help you pass any IT Certification exams . We provide high quality IT Certification exams practice questions and answers(Q&A). Especially Adobe, Apple, Citrix, Comptia, EMC, HP, HuaWei, LPI, Nortel, Oracle, SUN, Vmware and so on. And help you pass any IT Certification exams at the first try.

Web site: <http://www.visualexams.com>

You can reach us at any of the email addresses listed below.

E-Mail: [visualexams \(at\) hotmail.Com](mailto:visualexams@hotmail.com)